



DNH^{AS}

**N-3770 Kragerø
NORWAY**
 Phone: (47) 35 98 56 00
 Fax: (47) 35 98 56 10
 E-mail: dnh@dnh.no
 Web-site: www.dnh.no

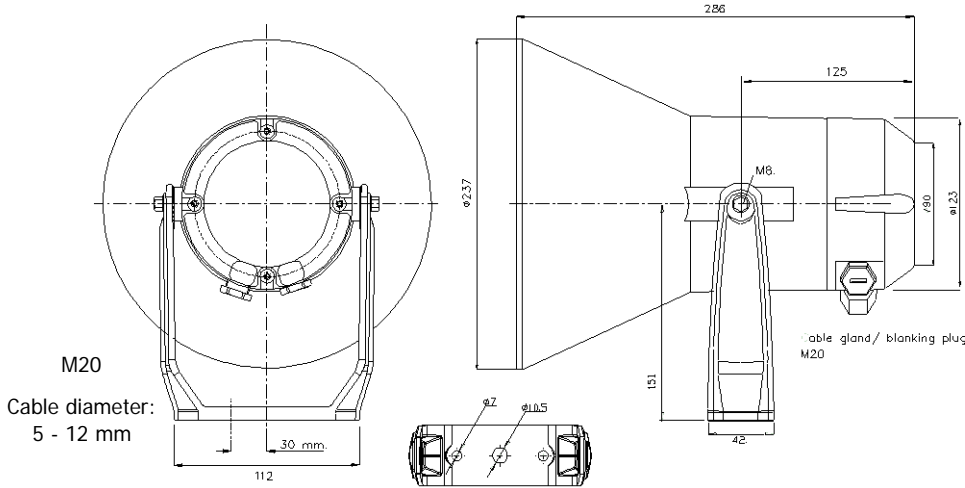
**DNH WW Ltd.
England**
 Phone:.....(44) 1908 275 000
 Fax:.....(44) 1908 275 100
 E-mail:.....dnh@dnh.co.uk

**DNH GmbH
Germany**
 Phone:.....(49) 040 6569 30-0
 Fax:.....(49) 040 6569 30-30
 E-mail:.....dnh@dnh.de

**DNH
Speakers Inc.
USA**
 Phone:.....(1) 484 494 5790
 Fax:.....(1) 484 494 5793
 E-mail:.....dnh@dnhspeakers.com

ISO 9001 CERTIFIED

HP-20(T)



50/70/100 volt
 Combined Transformer:

Primary connections:
 6 : 7 50 Volt line
 6 : 8 70 Volt line
 6 : 9 100 Volt line

Secondary nominal
 tapings:
 1 : 4 20,0 W
 1 : 3 10,0 W
 2 : 4 6,0 W
 1 : 2 5,0 W
 3 : 4 2,0 W
 2 : 3 1,5 W

6 = White, 8= Green,
 9 = Red

1W/1m sine wave smooth 1/3 octave



Material / ColorPolyamide / RAL 7035
 Mounting.....Bracket
 Termination..... Inside screw connections
 Weight 2,5 kg
 IP-rating.....67
 Max. / min. amb. temp 150 °C / -50 °C
 Rated / max. power 20 W / 25 W
 SPL 1W/1m 110 dB
 SPL rated power 122 dB
 Effective freq. range..... 310 – 8000 Hz
 Dispersion (-6dB) 1kHz / 4kHz..... 115° / 30°
 Directivity factor, Q (2kHz).....9,3
 Options.....impedances, colors, labels

Installation, Operation and Maintenance Procedures

- When mounting the loudspeaker please ensure that it is re-assembled in the same manner in which it was received. Fasten bracket with 1-3 screws.
- To change the position of the loudspeaker please adjust the bracket (by loosening / tightening the screws) as required.
- For optimum performance, always use the correct voltage / power and operate within the frequency limits as stated.
- Do not open loudspeaker when energized.
- Fasten lid with a torque of 2 - 3 Nm.
- This loudspeaker is supplied with a 2 year warranty against defective workmanship.